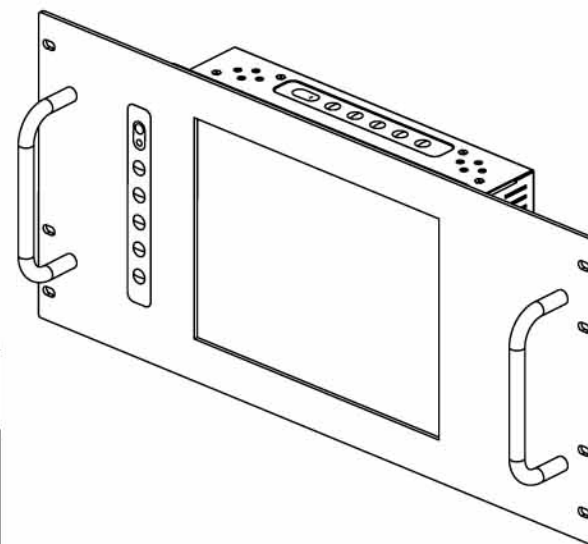
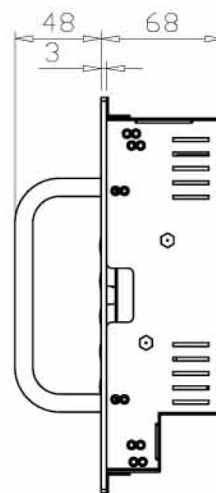
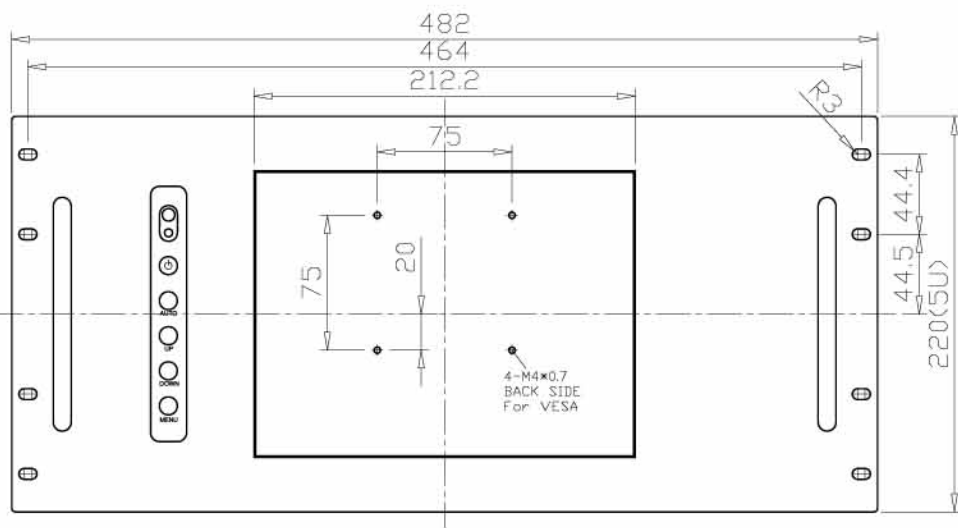
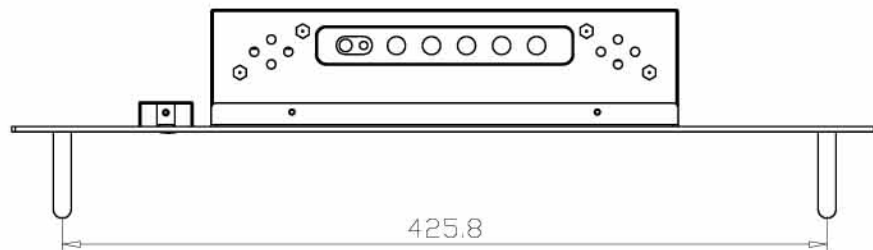


組裝注意事項：

1. CMO panel 左側螺絲孔, 需貼康揚RWF3.5-1 2PCS.
2. 表面黑纖紋烤漆.



DVI READY

AD/BOARD	2023L/2523BVL/2523TTL/2023-9906	MODEL	RM1045		PART NAME	Assembly		REV.	DWG SIZE
INVERTER		PART NO.				APPROVED	DRAWN		
KEY PAD	PCBKEY019A0	MATERIAL	SECC	DATE	06/18/2008				
PANEL:	SHARP-LQ104S1LG21 AU-G104SN02 SANSUNG-LTA104S1-L01 CMO-G104X1-L01								