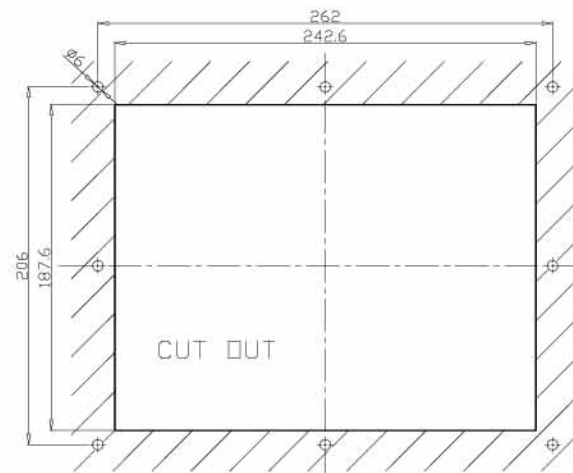


VIEW A



AD/BOARD	2023L/2023-9906/2523TTL/2523BVL	MODEL	IPM0846 / PM0846						
INVERTER	TIP017WS-01	PART NO.			PART NAME	ASSEMBLY			
KEY PAD	PCBKEY019A0	MATERIAL		DATE	2010-03-18	APPROVED		DRAWN	JACK
PANEL:	SHARP-LQ080V3DG01_E AU-G084SN05V2 SHARP-LQ084S3DG01-800x600								
								SCALE	1:1
								UNIT	MM

1

2

3

4

5