

1

2

3

4

5

A

A

B

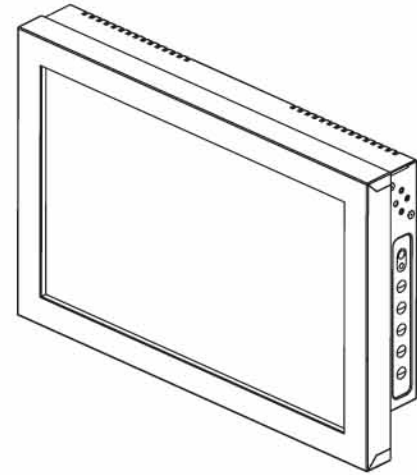
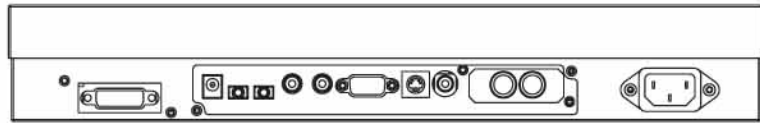
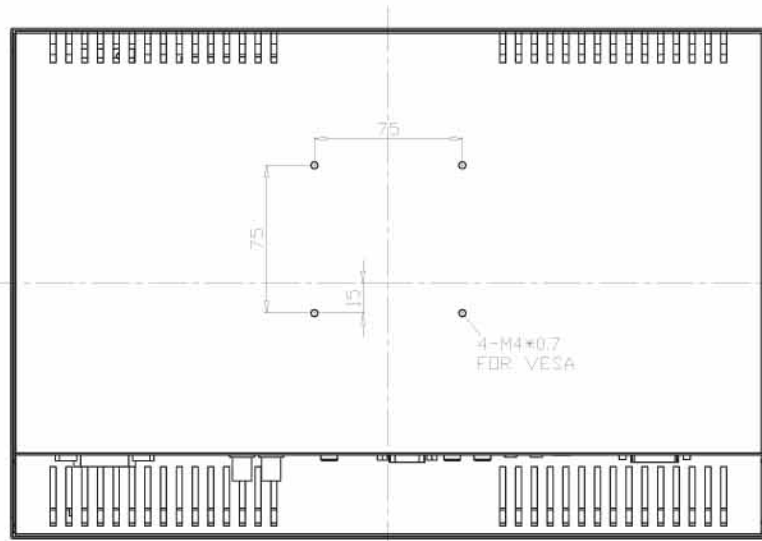
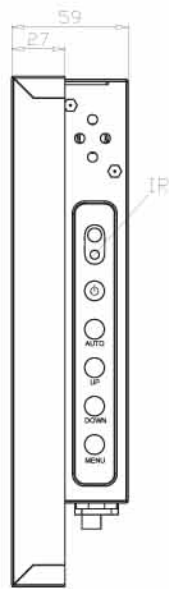
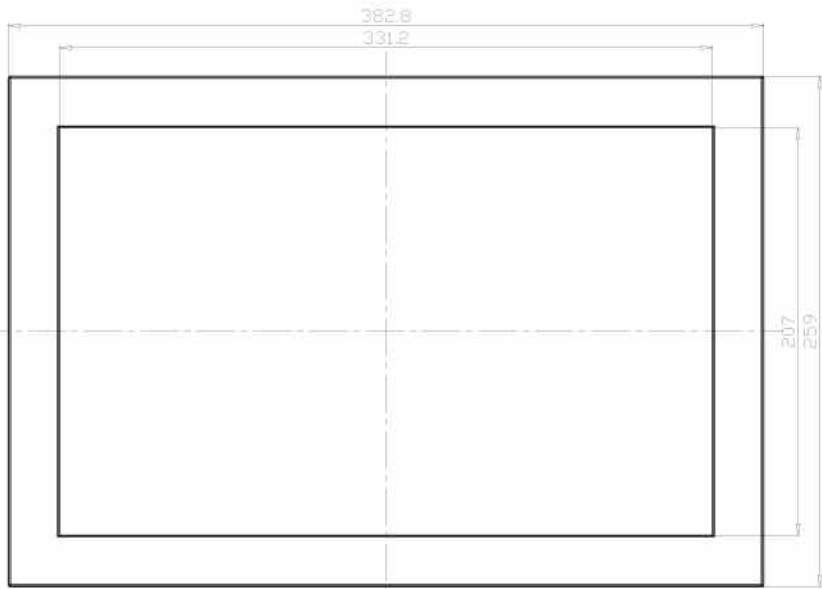
B

C

C

D

D



AD/BOARD		MODEL	CH1545		PART NAME		ASSEMBLY		
INVERTER	DIN207/DIN403	PART NO.			APPROVED	DRAWN		JACK	
KEY PAD	PCBKEY019A0	MATERIAL	SECC	DATE	10/16/2007			REV.	
PANEL: CMO-N15414-L02 NL154PW01								DWG SIZE	

1

2

3

4

5