

# Keyboards made in Germany

# InduKey®

Keyboards • made in Germany.

Product

## Industrial Short Travel Keyboards

TKS-105a-TB38-MODUL

Industrial Keyboard - Modul Front-Panel With Integrated 38mm-Trackball

Picture



Highlights

### Excellent Features:

- ✓ Ideal for industrial and medical applications
- ✓ Stable Aluminium frontpanel
- ✓ Easy integration by backside studs
- ✓ Long lifetime by OMRON-keys
- ✓ Best key position detection by embossed frontfoil
- ✓ Excellent tactile feeling by short travel keys
- ✓ Integrated keyboard controller
- ✓ Dust- and liquid-protected (IP 65 frontside)
- ✓ Various language versions available on request
- ✓ Integrated 38mm-Trackball
- ✓ Build-in depth 30 mm
- ✓ AT/RS232-interface available on request

Specification

### Keyboard Specification:

Number of Keys:	105
Keyswitch Technology:	Short travel keys
Switching Force/Travel:	2.6 N / 0.011" (0.3 mm)
Keyswitch Lifetime:	3 Mio. operations
Protection Level:	IP65 (frontside)
Interfaces:	PS/2; USB (AT on request)
Connector:	6-pin MiniDIN; USB-A
Dimensions :	19.0" x 7.0" x 1.77" 482,6 x 177,8 (4 HE) x 30 mm
Operating Temperature:	32 °F to 122 °F / 0 °C to 50 °C
Frontpanel Material:	Aluminium

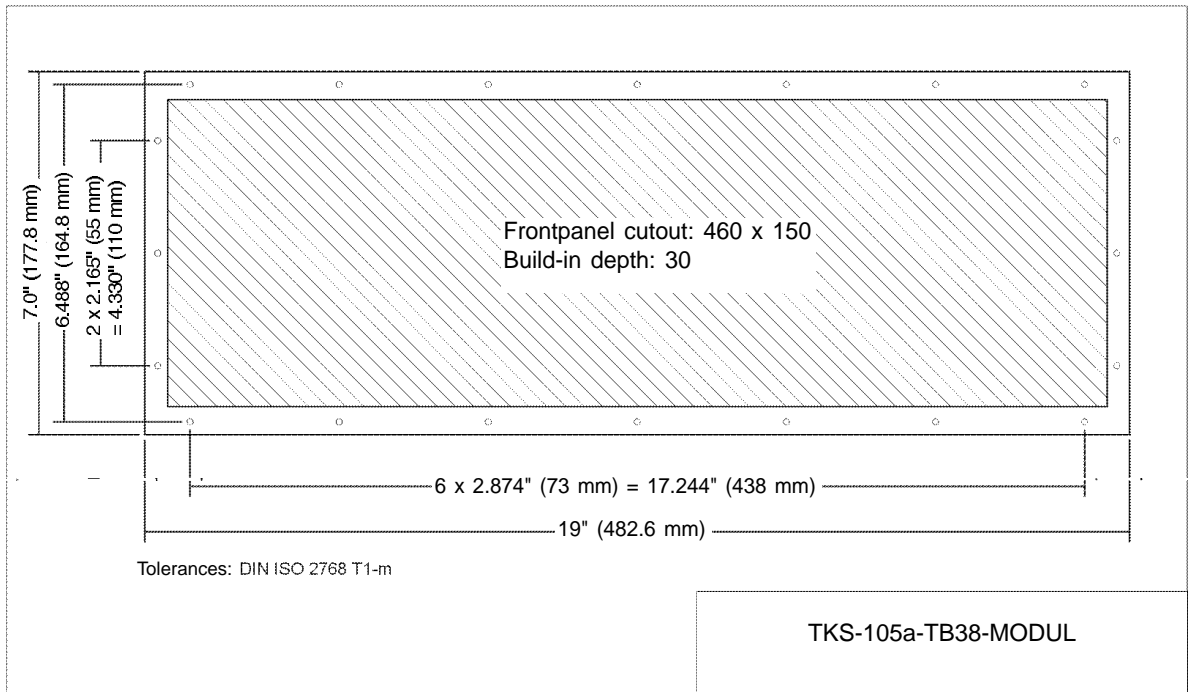
## Industrial Short Travel Keyboards

**TKS-105a-TB38-MODUL**

**Industrial Keyboard - Modul Front-Panel With Integrated 38mm-Trackball**

### Trackball Specification:

Ball Diameter: 38 mm  
 Tracking Force: 50 g  
 Trackball Lifetime: > 6 Mio. ball rotations  
 Protection Level: IP65 static, IP54 dynamic  
 Electronic Interface: PS/2; USB  
 Connector: 6-pin MiniDIN; USB-A  
 Operating Temperature: 32 °F to 122 °F / 0 °C to 50 °C



Ordering Information:		
KS8306	TKS-105a-TB38-MODUL-PS/2-GER	PS/2, German layout
KS8308	TKS-105a-TB38-MODUL-PS/2-US	PS/2, US-American layout
KS9497	TKS-105a-TB38-MODUL-USB-GER	USB, German layout
KS9498	TKS-105a-TB38-MODUL-USB-US	USB, US-American layout
KS9440	TKS-105a-TB38-MODUL-COV-PS/2-GER	protecting cover, PS/2, German layout
KS9441	TKS-105a-TB38-MODUL-COV-PS/2-US	protecting cover, PS/2, US-American layout
KS9499	TKS-105a-TB38-MODUL-COV-USB-GER	protecting cover, USB, German layout
KS9500	TKS-105a-TB38-MODUL-COV-USB-US	protecting cover, USB, US-American layout